

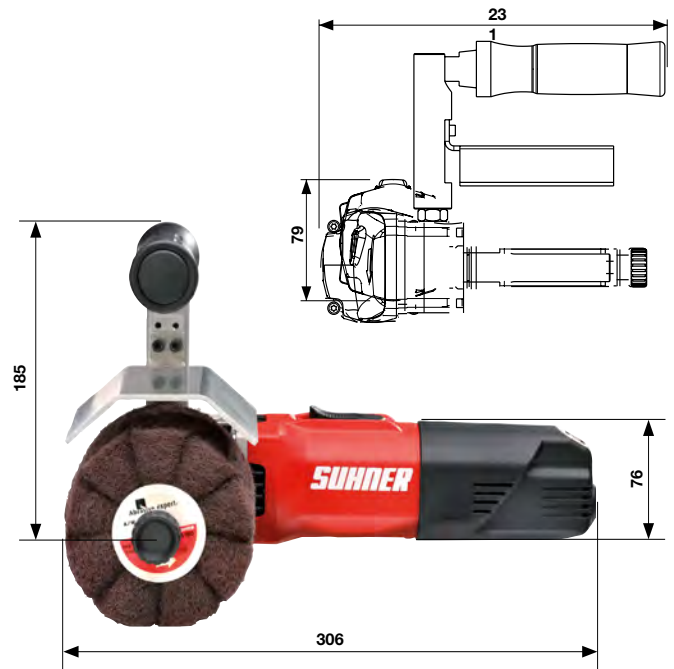
Angle polisher

UPG 5-R

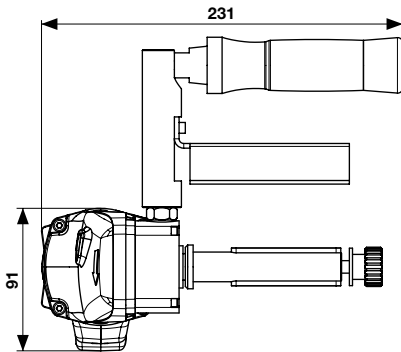
Applications

Preparing and finishing – buffing/polishing stainless steel, copper, brass, bronze, alu-minum, particularly in food & beverage equipment manufacturers shops, chemical & pharmaceutical industries and general metal fabricators.

- Working spindle 19 x 100mm to take drum sander and flap brushes can be exchanged to M14
- A selection of drum sander belts as well as flap brushes in A/O, zirconia and non-woven nylon available
- Extremely light
- Increased safety for the user thanks to thermal protection and smooth start
- Digital electronics ensures constant working speed
- Undervoltage protection. Unintentional activation following a voltage interruption, even with the machine on, is impossible
- Outgoing air guided past user at 45°



UPK 5-R



Technical Data

Type	Order No.	Speed min ⁻¹	Power input	max. wheel ø	Weight kg
UPG 5-R	111 234	1 800 – 4 000	1050 W	115mm	2,650
UPK 5-R	111 236	1 800 – 4 000	1530 W	115mm	3,000

ESW (elastic belt drum)



Size mm	Bore mm	Applications	Order No.	max. Speed min ⁻¹	Weight kg
50 x 100	19	↳ESWB 50/100	H908 736	6 900	2
100 x 100	19	↳ESWB 100/100	908 736 00	6 900	1

FVOW



Size mm	Bore mm	Order No.	max. Speed min ⁻¹	Weight kg
100 x 100	19	907 895 00	5 700	1

For removing heavy corrosion, mill scale on hot-rolled steels, stubborn paint layers on metals and heat tinting. Ideal for stainless steels.

FVVGW (folded non-woven fibre wheel)



Size mm	Bore mm	Grain size	Order No.	max. Speed min ⁻¹	Weight kg
100 x 100	19	80	908 750 00	5 700	1
		100	908 751 00	5 700	1
		120	908 752 00	5 700	1
		500	909 337 00	5 700	1

Folded grinding fabric enables line finishing with virtually no start-marks, especially on stainless steel surfaces.